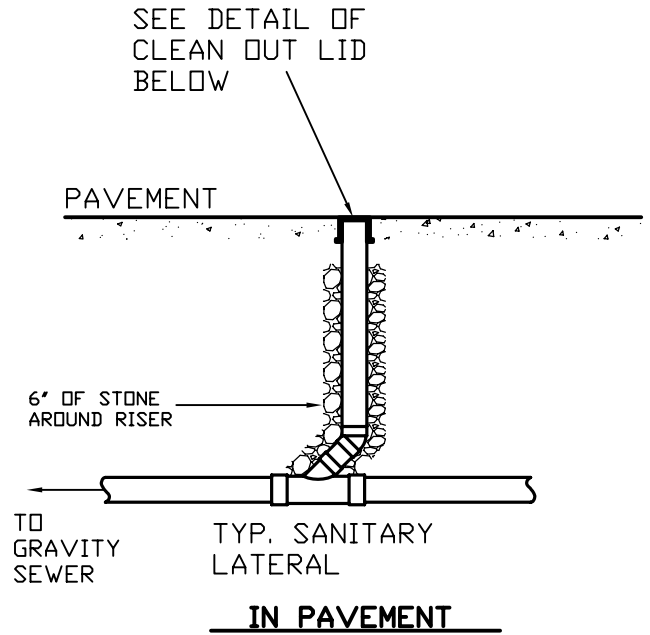
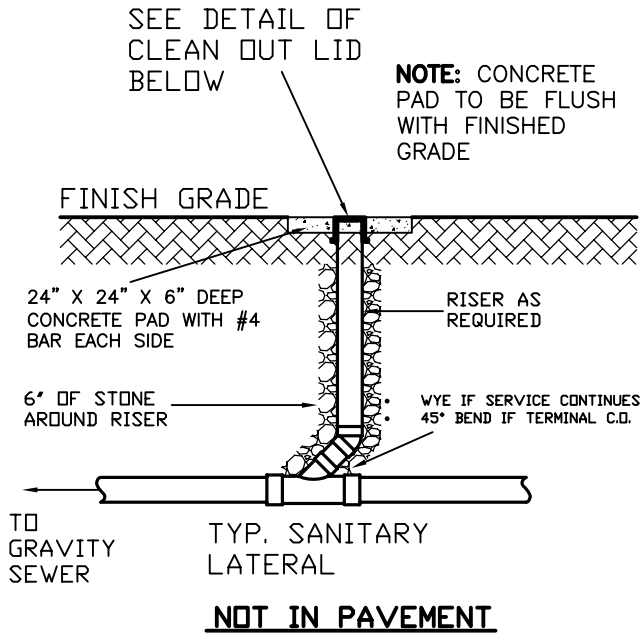
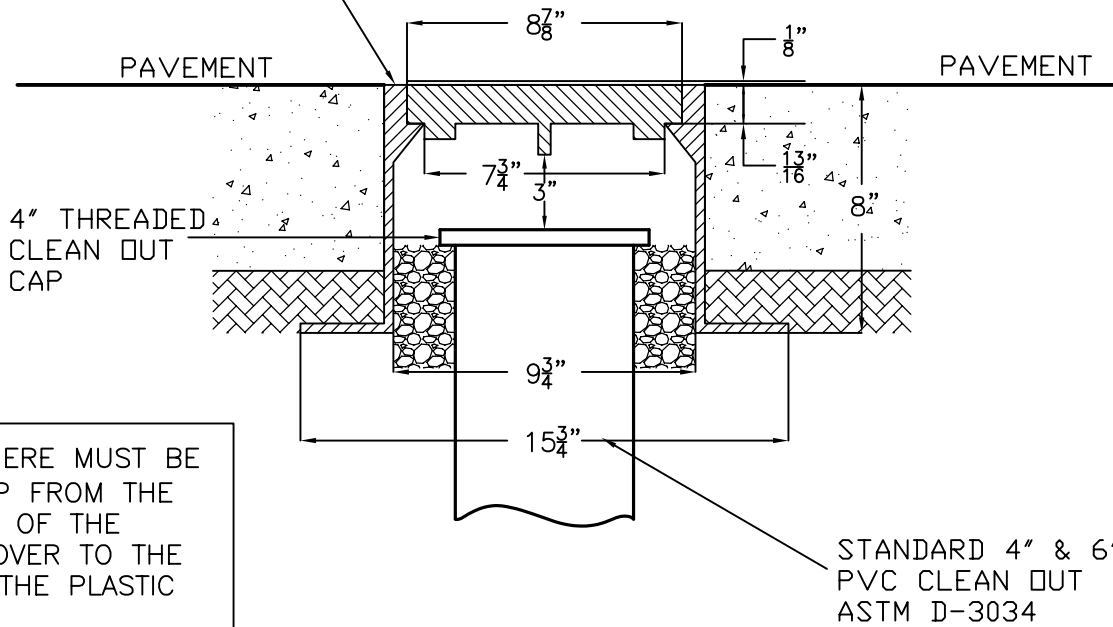


# - COMMERCIAL - TYP. CLEAN OUT DETAIL



## EAST JORDAN HEAVY DUTY LID 1574 OR APPROVED EQUAL



**NOTE:** THERE MUST BE A 3" GAP FROM THE BOTTOM OF THE STEEL COVER TO THE TOP OF THE PLASTIC CAP

STANDARD 4" & 6"  
PVC CLEAN OUT  
ASTM D-3034

(NO SCALE)

**MEDINA COUNTY  
SANITARY ENGINEER**

JAMES F. TROIKE, P.E.  
791 WEST SMITH ROAD  
MEDINA, OHIO  
(330) 723-9585 (330) 225-3113

DRAWN BY: JS

CHECKED BY: DC

DATE: DEC 2008

- COMMERCIAL -  
TYPICAL CLEAN OUT  
DETAIL